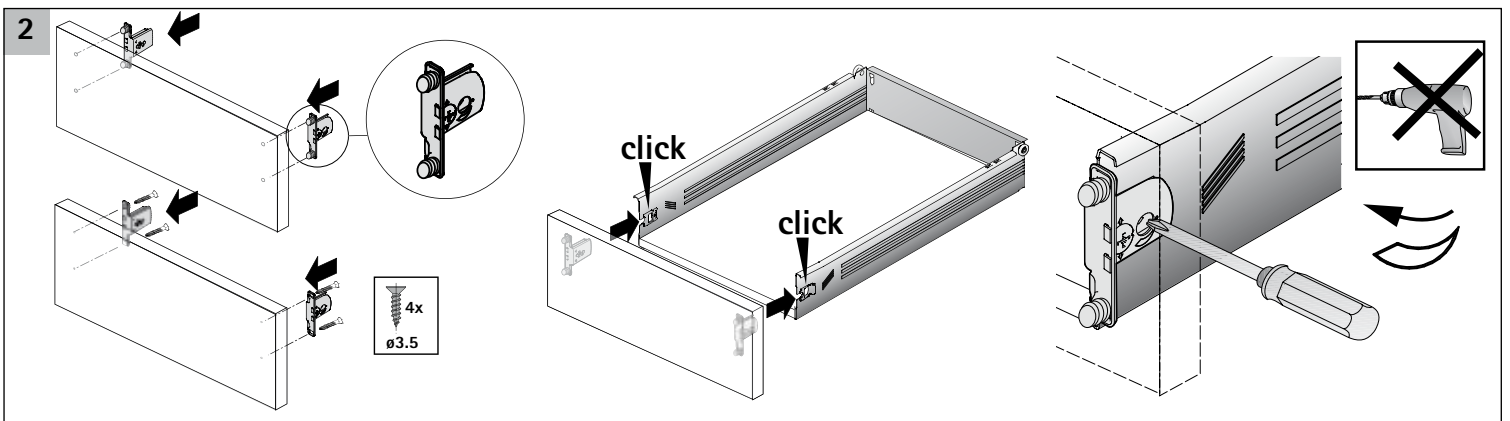
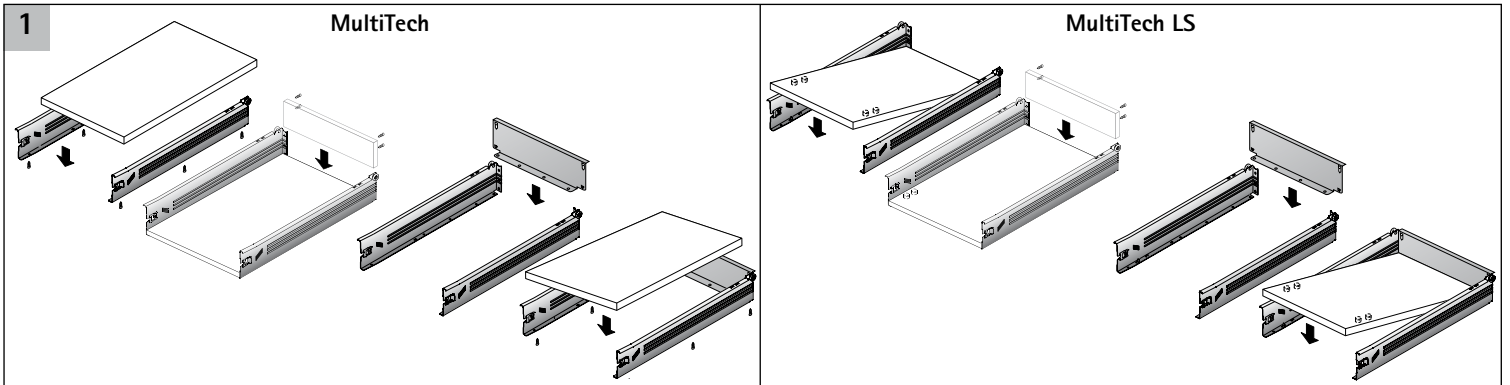
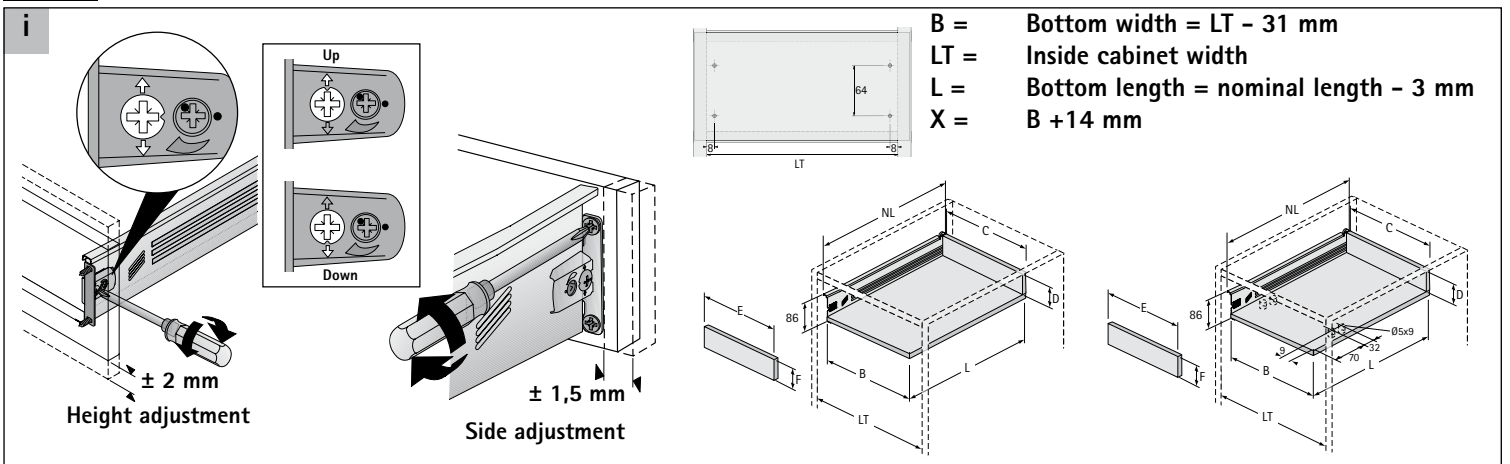




Assembly



Adjusting



Disassembly

